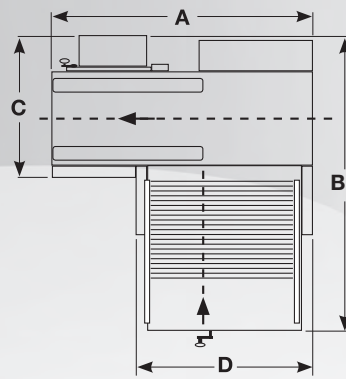


# F144 / F344 left (SX) and right (DX) version

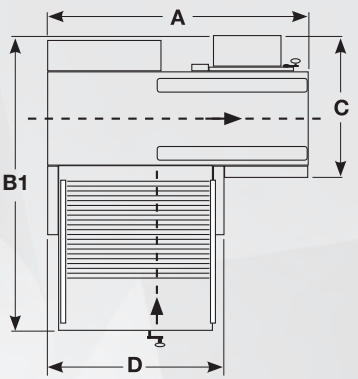


Standard box storage capacity: 80 ÷ 150 boxes according to thickness.

SX

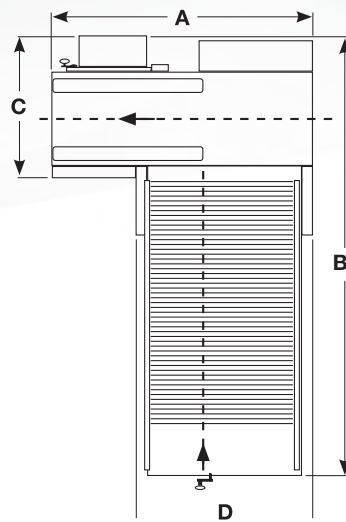


DX

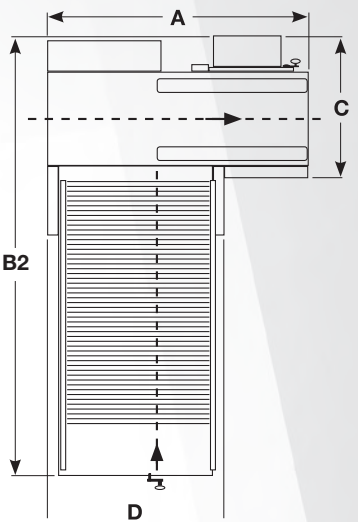


Extended box storage capacity: 160 ÷ 300 boxes according to thickness.

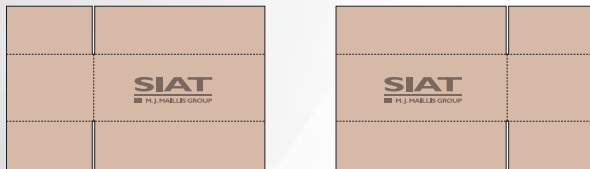
SX



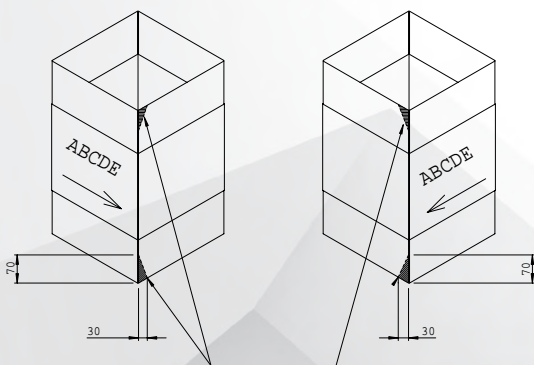
DX



How to choose between a right hand and a left hand machine when using printed boxes

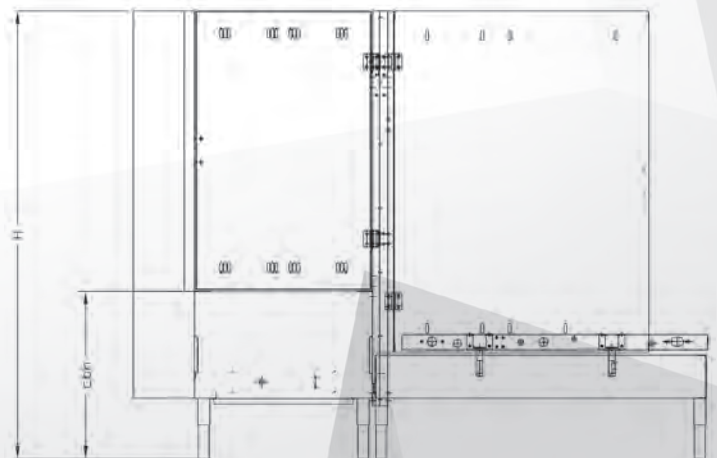


Modifications to be done on the squared boxes






Overall machine dimensions with standard or optional extended box storage

	F144/4 F344/4	F144 F344	F145 F345	F146 F346
A	1720	1720	1840	1940
B1	2280	2280	2300	2370
B2	-	3280	3340	3370
C	1060	1060	1020	1050
D	1100	1100	1230	1320
H	1645 / 1800	1645 / 1800	1645 / 1800	1750 / 1950



> **Machine dimensions**  
 Dimensioni macchina  
 Machinmessungen  
 Dimensions machine  
 Dimensiones de máquina

Size / Weight packaging			LxWxH 
> F44	550	850	290x150x220
> F144-F144/4 > F344-F344/4	600	850	255x210x220
> F145 - F345	600	850	255x210x220
> F146 - F346	650	850	255x240x220

> **F44**

	Min.	Max
H	1800	2150
cbh	600	950
AS 77	700	1050

> **F145 - F345**

	Min.	Max
H	1645	1800
cbh	545	700
AS 109	665	820

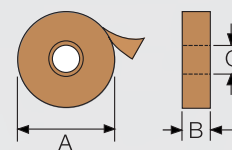
> **F144-F344-F144/4-F344/4**

	Min.	Max
H	1645	1800
cbh	545	700
AS 109	665	820

> **F146 - F346**

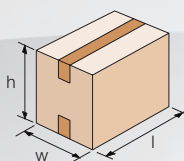
	Min.	Max
H	1750	1950
cbh	650	850
AS 109	770	970

> **Taping units**  
 Unità nastranti  
 Verschleseinheiten  
 Unités enrubanueuses  
 Unidades de precinto



	K11R/ K12R
	mm
A	410 Max
B	50 / 75
C	76

> **Box dimensions**  
 Dimensioni delle scatole  
 Kartonabmessungen  
 Dimensions des boîtes  
 Dimensiones de cajas



> **F44**

	K11R std. / K12R on demand	
	Min.	Max
l	200	450
w	150	350
h	150	450

> **F144 - F344**

	K11R std. / K12R on demand	
	Min.	Max
l	150	450
w	150	350
h	150	450

> **F144/4 - F344/4**

	K11R std. / K12R on demand	
	Min.	Max
l	150	450
w	130	350
h	120	400

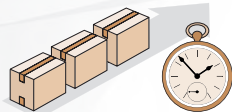
> **F145-F345**

	K11R std. / K12R on demand	
	Min.	Max
l	200	560
w	150	350
h	150	450

> **F146-F346**

	K11R std. / K12R on demand	
	Min.	Max
l	300	620
w	200	400
h	220	450

> **Production capacity**  
 Capacità di produzione  
 Produktionskapazität  
 Capacité de production  
 Capacidad de producción



> <b>F44</b>	Bph
Max pcs.*	480

> <b>F144</b> > <b>F144/4</b>	Bph
Max pcs.*	700

> <b>F145</b>	Bph
Max pcs.*	600

> <b>F146</b>	Bph
Max pcs.*	500

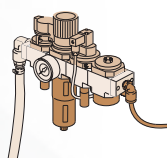
\* Always based on shorter manageable box

> <b>F344</b> > <b>F344/4</b>	Bph
Max pcs.*	1100

> <b>F345</b>	Bph
Max pcs.*	1000

> <b>F346</b>	Bph
Max pcs.*	900

> **Air consumption**  
 Consumo aria  
 Luftverbrauch  
 Consommation d'air  
 Consumo de aire



> <b>F44</b>	NL.
Cycle	48

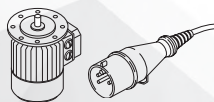
> <b>F144</b> > <b>F144/4</b>	NL.
Cycle	48

> <b>F145</b> > <b>F146</b>	NL.
Cycle	54

> <b>F344</b> > <b>F344/4</b> > <b>F345</b> > <b>F346</b>	NL.
Cycle	9

from 5,5 bar to 7 bar

> **Standard voltage**  
 Voltaggio standard  
 Standardspannung  
 Tension standard  
 Voltaje estándar



> **F44**

380/400V - 50Hz - 3F	
440V - 60Hz - 3F	
Amps	1,33
Power kW	0,36
Phase	3Ph + N + PE

> **F144 - F144/4 - F145 - F146**

380/400V - 50Hz - 3F	
440V - 60Hz - 3F	
Amps	1,33
Power kW	0,36
Phase	3Ph + PE

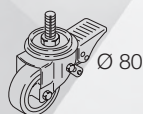
> **F344 - F344/4 - F345 - F346**

380/400V - 50Hz - 3F	
440V - 60Hz - 3F	
Amps	5,73
Power kW	1,31
Phase	3Ph + N + PE

> **Optionals**  
 Accessori  
 Zubehör  
 Accessories  
 Accesorios

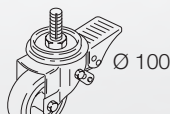
> **AS77 (only for F44)**

Casters  
 Set ruote  
 Rädchen  
 Roulettes  
 Ruedas



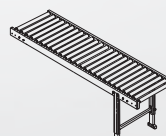
> **AS109**

Casters  
 Set ruote  
 Rädchen  
 Roulettes  
 Ruedas



> **RG**

Roller conveyor  
 Piani a rulli  
 Rollenbahnen  
 Plans à rouleaux  
 Rodillos libres



> **GTL - GTR**

Extendable conveyor  
 Rulliera estensibile  
 Ausziehbare rollenbahnen  
 Convoyeur extensible  
 Rodillos extensibles

