

# HTF

## HORIZONTAL TRAY FORMER



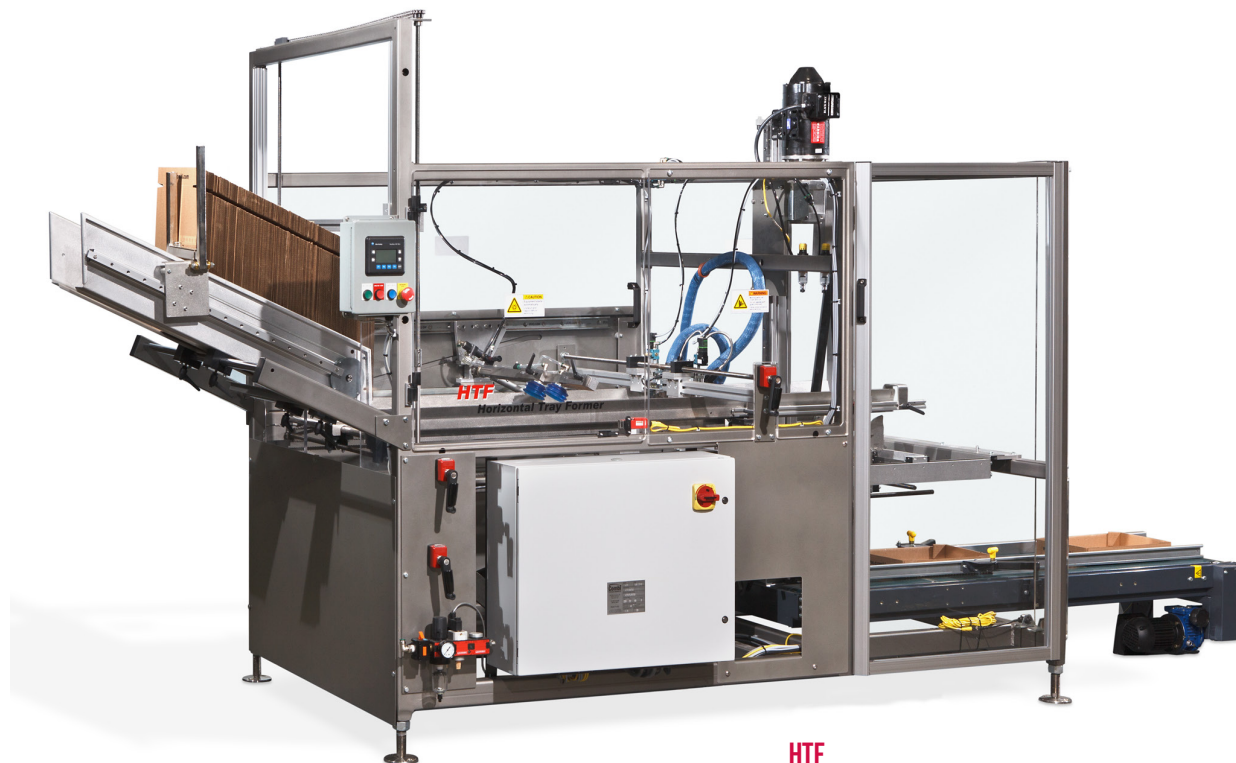
The Combi Model HTF fully automatic tray former features heavy-duty welded steel construction and is ideal for high volume tray forming production. The HTF will form side slotted, end slotted and design style trays, in various configurations, to accommodate the agriculture, food processing and distribution industries. The HTF's inline and compact design uses a mechanically linked tray pick-up and transport mechanism for precise placement through the glue application and forming cycle. For added flexibility, the Combi HTF easily integrates with Combi case packers.

### FEATURES:

- Heavy duty welded tubular steel construction
- The formed tray can exit the HTF in three different directions
- Exclusive Combi designed motorized forming mandrel
- Toolless changeovers with slide-on adjustable mandrels
- Fail-safe system for continuous sensing of tray blank placement
- Mechanical construction

### BENEFITS:

- Ideal for high volume, 3 shift applications; Lifetime guarantee on frame
- Accommodates most any layout; Compact footprint
- Provides flexibility by being programmable
- Changeovers can be performed in seconds
- Precise, positive placement through the forming cycle and glue application results in square trays
- Sustainable - Inexpensive to Operate - Uses less than ½ cfm of air



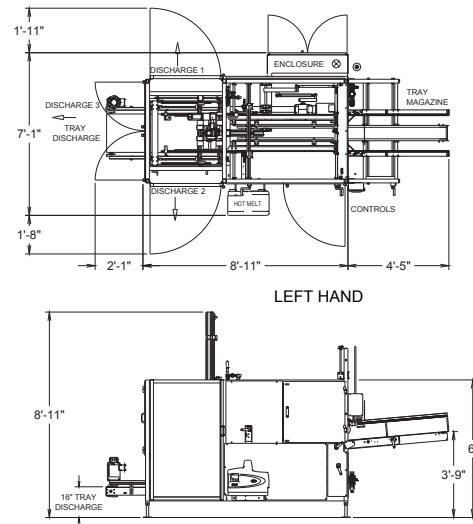
**HTF**  
Horizontal Tray Former

# HTF

## SEQUENCE OF OPERATION:

An operator loads tray blanks vertically into the gravity magazine. A mechanical driven arm extends to the tray blank and vacuum cups pick and place tray to horizontal position. A mechanical walking beam indexes a tray blank under the glue heads, which apply beads of glue to the tray tabs. The glue application is controlled by feedback from the encoder attached to the A/C motor. After passing the glue heads, the walking beam pushes the flat tray blank into an exclusive Combi designed motorized forming mandrel, thus forming the tray by folding the tabs and compressing the sidewalls. The formed tray can exit the HTF in any of 3 discharge directions, accommodating most any layout.

### HTF



MODEL	TRAY SIZE MIN (LXWXH)	TRAY SIZE MAX (LXWXH)	BLANK SIZE MAX (LXWXH)	SPEED: TPM*	FORMING PROCESS:
HTF	8½ x 8½ x 2" (216x216x51mm)	24 x 24 x 9" (610x610x229mm)	42 x 42" (1067x1067mm)	35	Single Stage
HTF 2	8½ x 8½ x 2" (216x216x51mm)	24 x 24 x 9" (610x610x229mm)	42 x 42" (1067x1067mm)	15	Two Stage
HTF XL	12 x 12 x 2" (305x305x51mm)	28 x 28 x 11" (711x711x279mm)	50 x 50" (1270x1270mm)	25	Single Stage
HTF XL 2	12 x 12 x 2" (305x305x51mm)	28 x 28 x 11" (711x711x279mm)	50 x 50" (1270x1270mm)	10	Two Stage

\* Speed dependent upon tray style, depth and construction material



Combi tray erectors precisely form and glue slotted style trays, trays with tuck flaps and trays with one piece lids.

DISTRIBUTED BY:



Optional Mandrel Head Cart - Slide change parts on and off this mobile cart for easy access and storage



6299 Dressler Rd NW North Canton, OH 44720  
Phone: 1-800-521-9072 www.combi.com

© 2018 Combi Packaging Systems LLC, a joint venture with 3M™ and Maillis Group